



Manifold plate type ULRA 10

**WK
450 500**

Size 10

31,5 MPa

04. 2000r.

DESCRIPTION

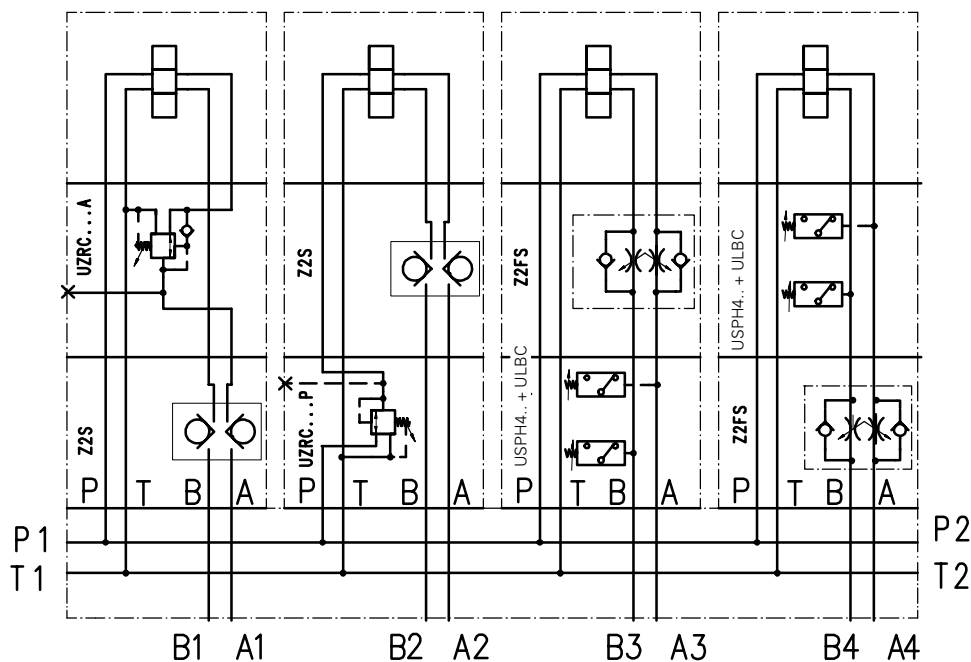
Manifold plates type ULRA make assembly of control blocks for hydraulic systems possible, where common supply (P) and drain (T) lines can be fitted.

The equipment listed below, manufactured by FEH "PONAR-WADOWICE" S.A., may be used as control system components installed on the board:

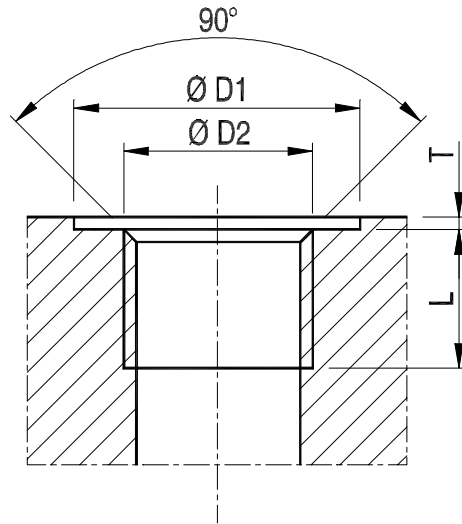


directional control valves, solenoid operated	WE 10 to WK 450 680
directional control valves, hydraulic operated	WH 10 to WK 450 770
directional control valves, hand lever operated	WMM 10 to WK 450 740
directional control valves, rotary knob operated	WMD 10 to WK 450 750
pressure reducing valves	UZRC 10 to WK 494 721
sequence valves	UZKC 10 to WK 493 720
check valves	WZZC 10 to WK 450 367
double check valves	Z2S 10 to WK 450 309
double throttle/check valves	Z2FS 10 to WK 450 233
pressure switches (with plate ULBC 06)	USPH 4 to WK 450 398

APPLICATION EXAMPLES FOR ULRA 10

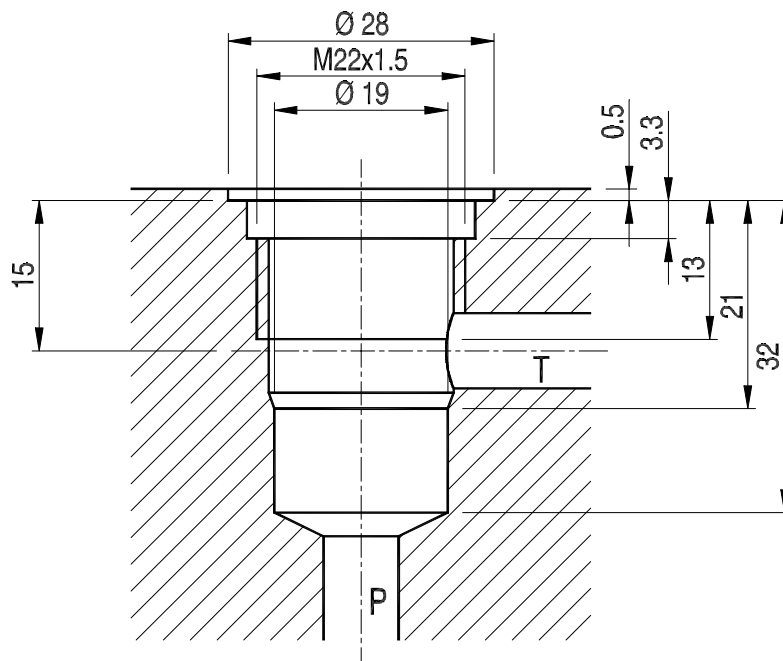


DIMENSIONS OF PORTS



Dimensions/Port	A1... A6, B1... B6	P1, P2, T1, T2
$\varnothing D2$	G1/2	G3/4
L	14	16
$\varnothing D1$	34	45
T	1	1

DIMENSIONS OF RELIEF VALVE UZPS6



Detailed specifications of UZPS 6 valve according to data card WK 492 860

HOW TO ORDER :

Orders coded as above should be forwarded to the manufacturer.

	ULRA	/				*
--	------	---	--	--	--	---

Number of controls :	
for 2 controls	= 2
for 3 controls	= 3
for 4 controls	= 4
for 5 controls	= 5
for 6 controls	= 6

Nominal size :	
10	= 10

Series number :	
10	= 10
(10 - 19)	= installation and connection dimensions unchanged

Threads of ports	
BSP threads to ISO 228	= 01

User ports :	
On side	= C

Without cavity of relief valve	= no designation
Cavity of relief valve	= Z

Further requirements in clear text (to agree with the manufacturer)

Example : 2 ULRA 10 /10-01 -C



Q-HYDRAULIKA, Rakovník
 Rabasova 2281, 269 01 Rakovník, tel./fax: 313 514 718
 e-mail: info@q-hydraulika.cz, www.q-hydraulika.cz