



Manifold plate type ULRA 6

**WK
450 499**

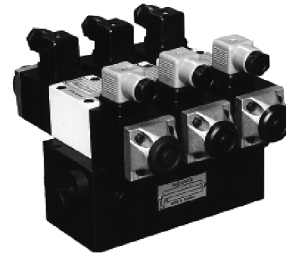
Size 6

31,5 MPa

04. 2000r.

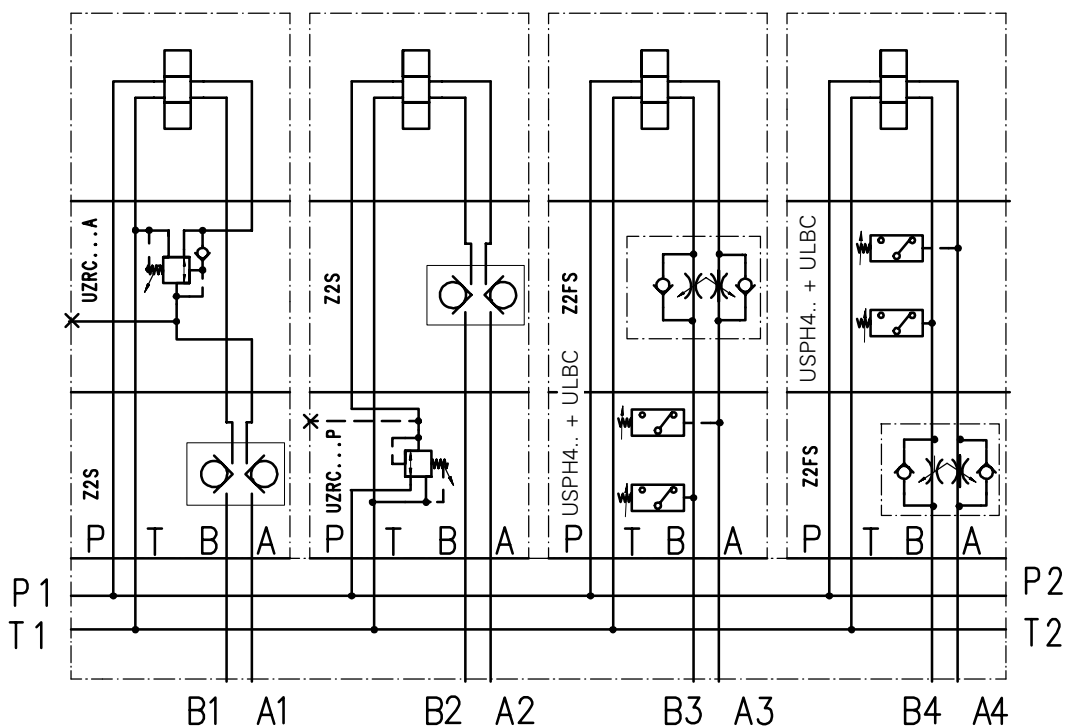
DESCRIPTION

Manifold plates type ULRA make assembly of control blocks for hydraulic systems possible, where common supply (P) and drain (T) lines can be fitted. The equipment listed below, manufactured by FEH "PONAR-WADOWICE" S.A., may be used as control system components installed on the board:

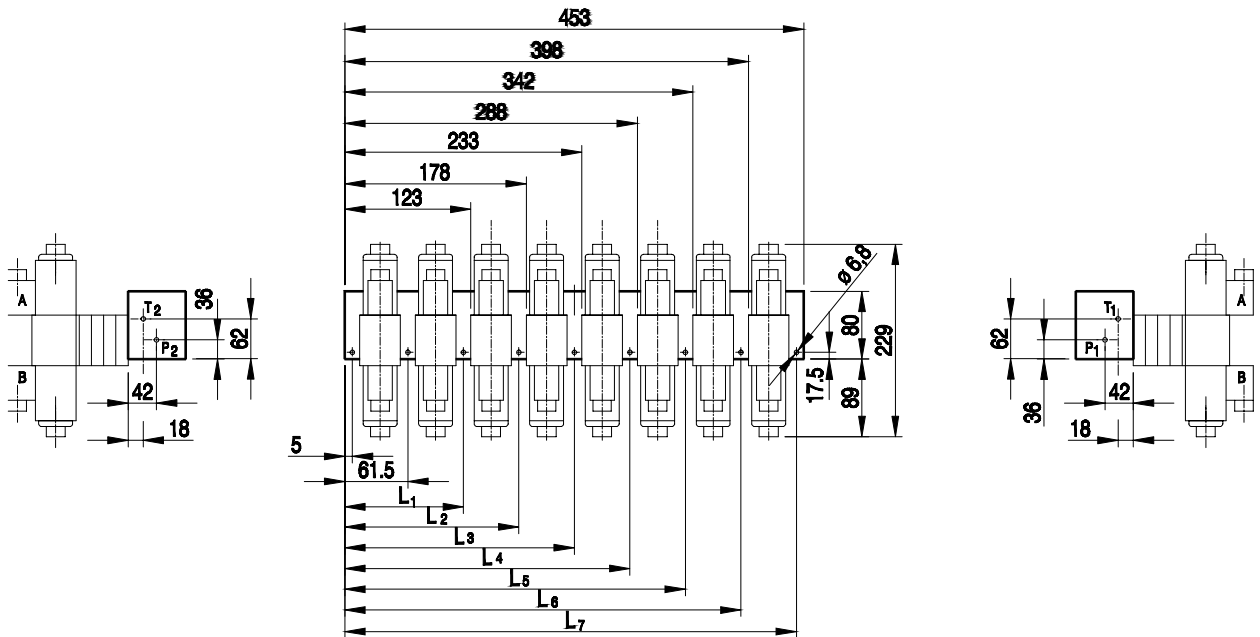
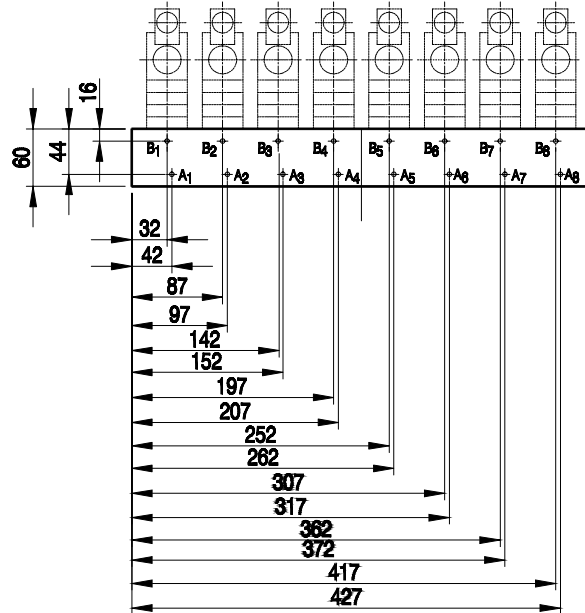


directional control valves, solenoid operated	WE 6 to WK 450 550
directional control valves, hydraulic operated	WH 6 to WK 450 394
directional control valves, hand lever operated	WMM 6 to WK 450 358
directional control valves, rotary knob operated	WMD 6 to WK 450 356
pressure reducing valves	UZRC 6 to WK 493 061
sequence valves	UZKC 6 to WK 393 060
check valves	WZZC 6 to WK 450 355
double check valves	Z2S 6 to WK 450 360
double throttle/check valves	Z2FS 6 to WK 450 232
pressure reliefs (with plate ULBC 10)	USPH 4 to WK 450 398
pressure relief valves	UZPR 6 to WK 494 060

APPLICATION EXAMPLES FOR 4ULRA 6

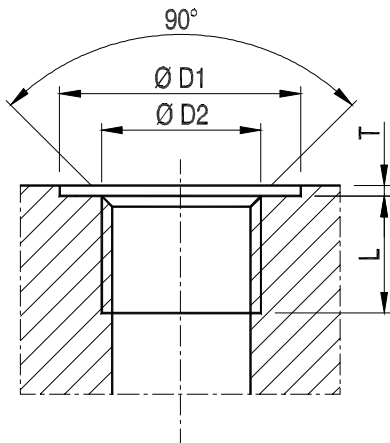


OVERALL DIMENSIONS



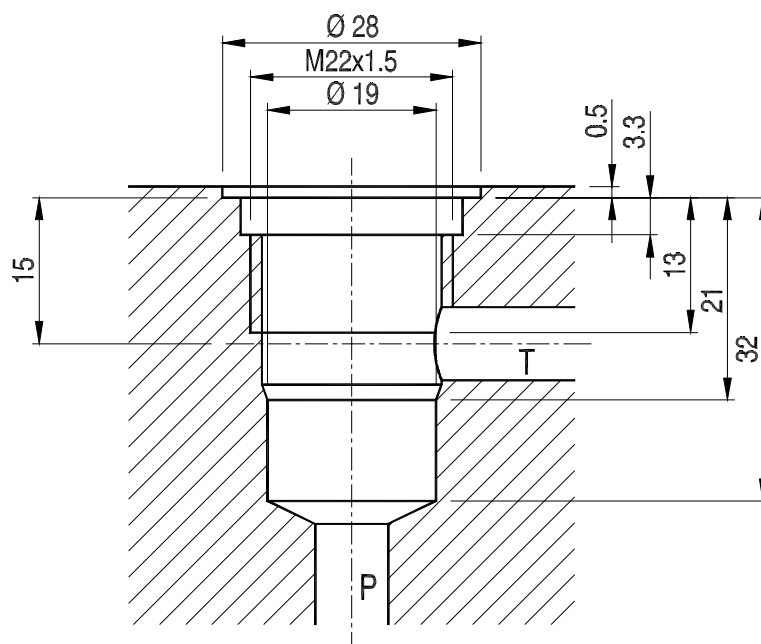
	L1	L2	L3	L4	L5	L6	L7
2 ULRA	118						
3 ULRA	116,5	173					
4 ULRA		171,5	228				
5 ULRA			226,5	283			
6 ULRA		281,5		338			
7 ULRA				393			
8 ULRA		336,5	391,5	448			

DIMENSIONS OF PORTS



Dimensions/Port	A1... A8, B1... B8	P1, P2, T1, T2
$\varnothing D2$	G3/8	G1/2
L	12	14
$\varnothing D1$	28	34
T	1	1

DIMENSIONS OF RELIEF VALVE UZPS6



Detailed specifications of UZPS 6 valve according to data card WK 492 860

HOW TO ORDER :

Orders coded as above should be forwarded to the manufacturer.

	ULRA	/				*
Number of controls : for 2 controls = 2 for 3 controls = 3 for 4 controls = 4 for 5 controls = 5 for 6 controls = 6 for 7 controls = 7 for 8 controls = 8						
Nominal size : 6 = 6						
Series number : 10 = 10 (10 - 19) = installation and connection dimensions unchanged						
Threads of ports BSP threads to ISO 228 = 01						
User ports : On side = C						
Without cavity of relief valve = no designation Cavity of relief valve = Z						
Further requirements in clear text (to agree with the manufacturer)						

Example : **2 ULRA 6 /10-01 -C**



Q-HYDRAULIKA, Rakovník
Rabasova 2281, 269 01 Rakovník, tel./fax: 313 514 718
e-mail: info@q-hydraulika.cz, www.q-hydraulika.cz