



# CHECK VALVE TYPE UZZD 32 CARTRIDGE DESIGN

**WK  
450 349**

Size 32

up to 32 MPa

360 dm<sup>3</sup>/min

04.1999r.

Check valve cartridge are used in hydraulic systems, where free flow in one direction and self-acting closure in the opposite direction are required. These valves can be applied as low-pressure overflow valves for keeping pressure drop at a constant level.

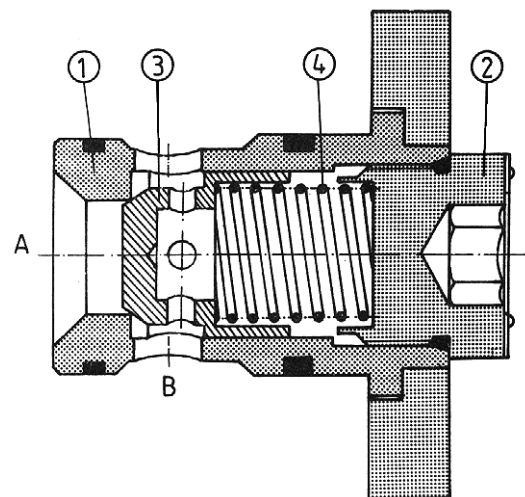
Valves can be installed in any desired position in special seats.

Sealing of interfaces is provided by O-rings which are included.



## DESCRIPTION OF OPERATION

The plug 2 being simultaneously the seat for the spring is mounted in the sleeve 1. The spring pushes the poppet 3 onto the internal edge of the sleeve. If a pressure difference in port A exceeds the cracking pressure determined by the spring, the poppet will move along allowing free flow from port A to B.

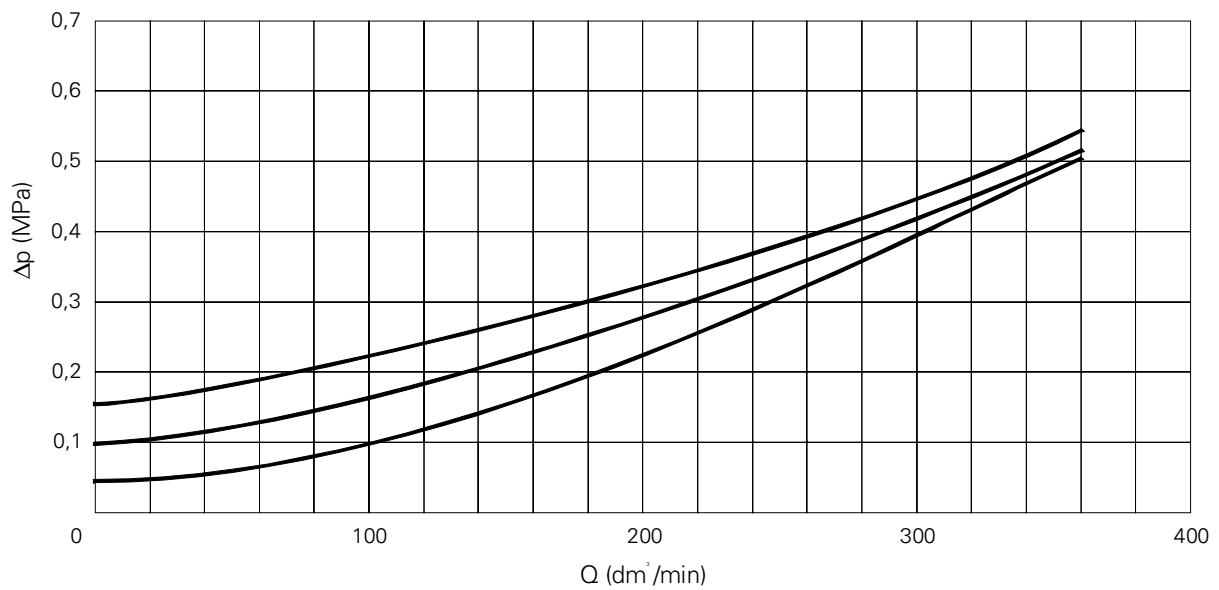


## TECHNICAL DATA

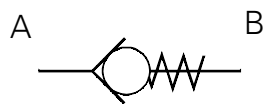
Hydraulic fluid	Mineral oil or phosphate ester
Nominal fluid viscosity	37 mm <sup>2</sup> /s at the temperature of 328 K
Viscosity range	2.8 to 380 mm <sup>2</sup> /s
Optimum working temperature( fluid in a tank )	313 - 328 K
Fluid temperature range	243 - 343 K
Required fluid filtration	16 μm
Recommended fluid filtration	10 μm
Maximum working pressure	32 MPa
Cracking pressure	0.05; 0.1; 0.15 MPa
Weight	3.1 kg



PERFORMANCE CURVES, measured at  $v = 41 \text{ mm}^2/\text{s}$  and  $T = 323 \text{ K}$



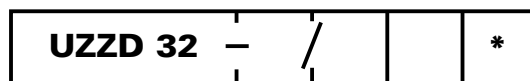
SCHEME



Graphical symbol

HOW TO ORDER

Orders coded in the way showed below should be forwarded to the manufacturer.



Series number :  
 20 = 20  
 (20-29) - installation and connection  
 dimensions unchanged

Cracking pressure  
 Cracking pressure 0.05 MPa = 05  
 Cracking pressure 0.10 MPa = 10  
 Cracking pressure 0.15 MPa = 15

Additional requirements in clear text  
 ( to be agreed with the manufacturer )

Sealing  
 Fluids on mineral oil base = no designation  
 Fluids on phosphate ester base = V

Coding example : UZZD 32 - 20/05



**Q-HYDRAULIKA, Rakovník**  
Rabasova 2281, 269 01 Rakovník, tel./fax: 313 514 718  
e-mail: [info@q-hydraulika.cz](mailto:info@q-hydraulika.cz), [www.q-hydraulika.cz](http://www.q-hydraulika.cz)